

8 7 6 5 4 3 2 1

F

F

E

E

D

D

C

C

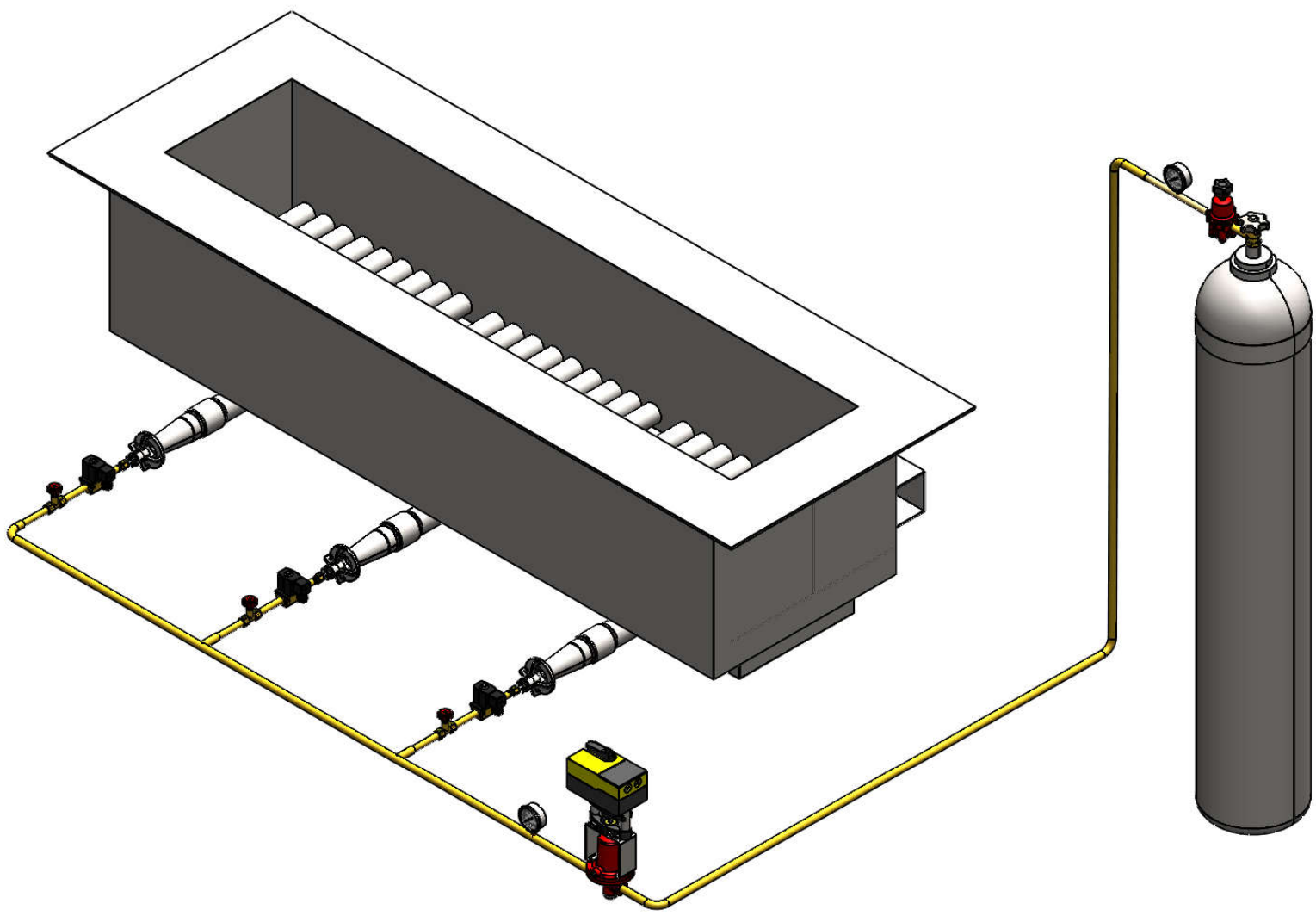
B

B

A

A

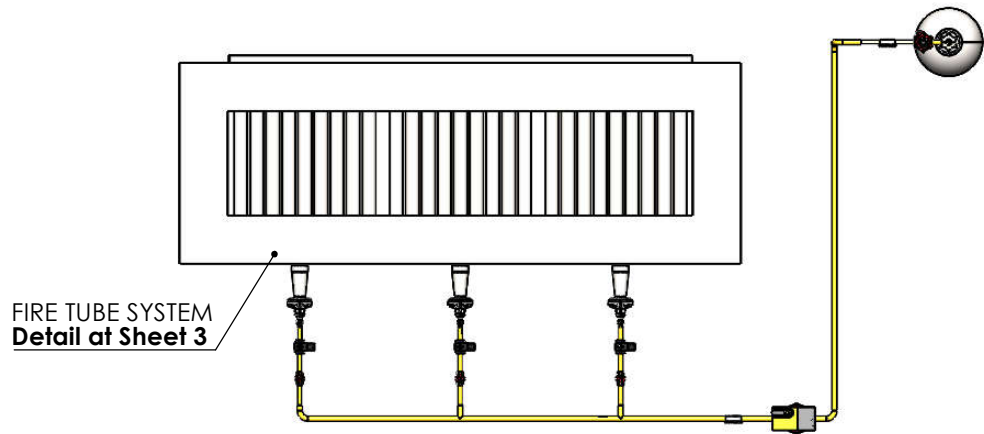
8 7 6 5 4 3 2 1



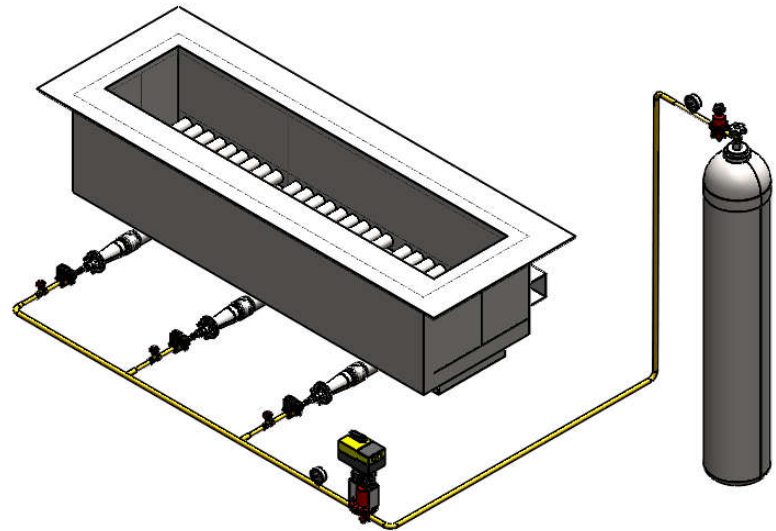
This drawing is the property of PP Systems. Any complete or partial reproduction is forbidden.



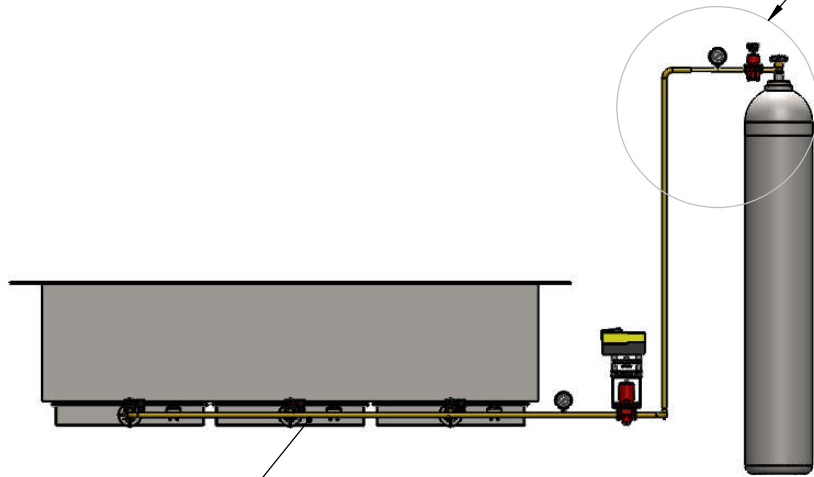
ALL DIMENSIONS ARE IN MILLIMETERS			TITLE:	
	NAME	SIGNATURE	Metal Fiber Burner	
Drawn	P.JATURONK	Jaturonk		
Improvement	P.SATIT	Satit P.	DWG NO.	J210107-DVM-S001 A3
DATE: 25-Jan-21	REVISION: 0		SCALE: 1:20	
WEIGHT:			SHEET 1 OF 6	



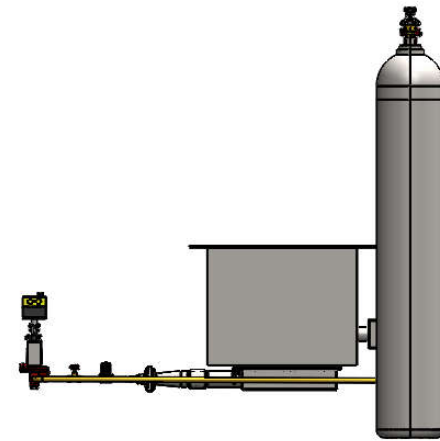
FIRE TUBE SYSTEM
Detail at Sheet 3



GAS SUPPLY HP SYSTEM
Detail at Sheet 6



BURNER SYSTEM
Detail Sheet 4



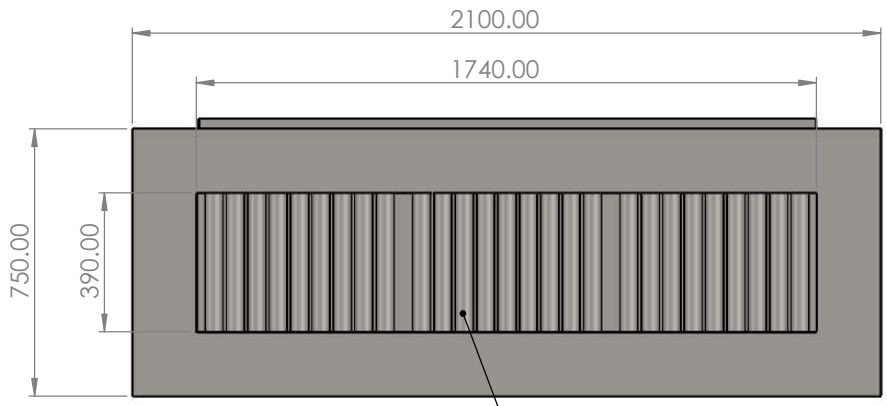
This drawing is the property of PP Systems. Any complete or partial reproduction is forbidden.



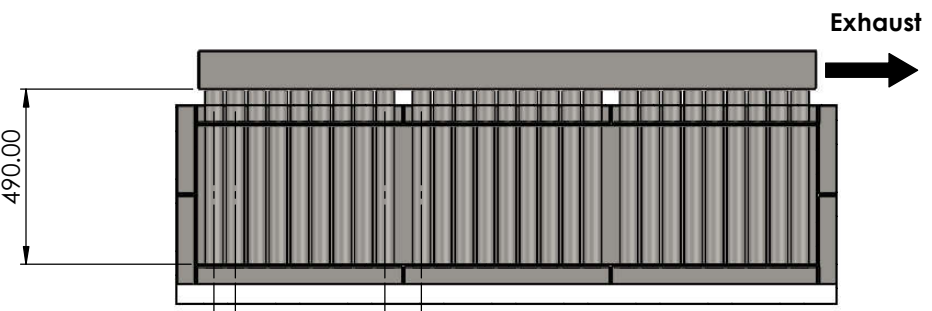
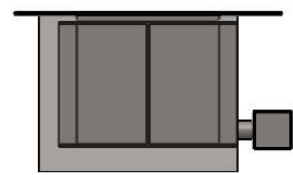
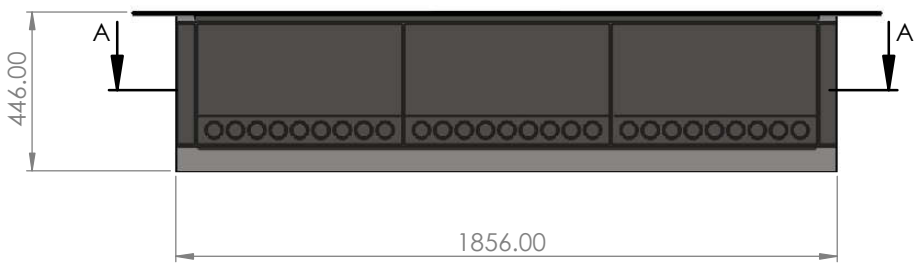
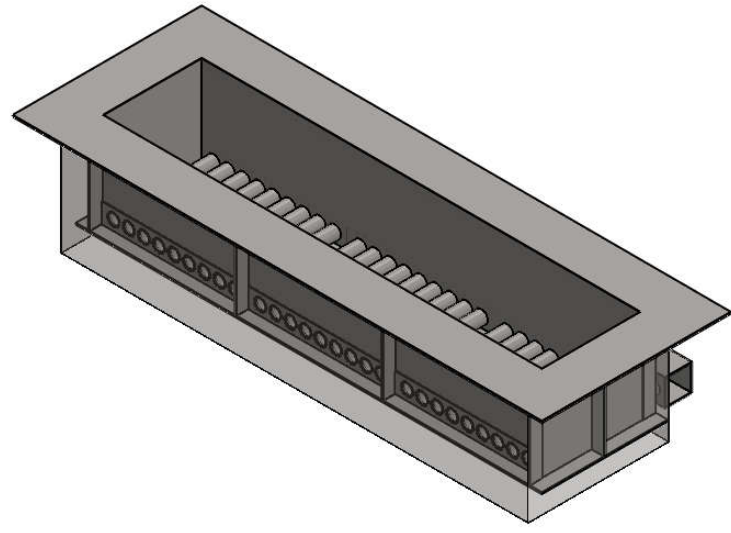
ALL DIMENSIONS ARE IN MILLIMETERS		TITLE:	
NAME	SIGNATURE	Metal Fiber Burner	
Drawn P.JATURONK	Jaturonk		
Improvement P.SATIT	Satit P.	DWG NO.	A3
DATE: 25-Jan-21	REVISION: 0	J210107-DVM-S001	
WEIGHT:	SCALE:1:50	SHEET 2 OF 6	

8 7 6 5 4 3 2 1

F
E
D
C
B
A



ASTM A-312 SCH10 Size 1-1/2", OD 48.26mm.



SECTION A-A
SCALE 1 : 15

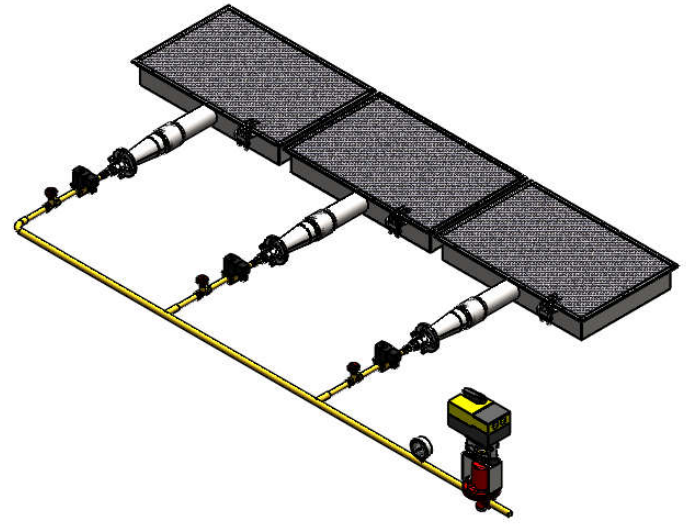
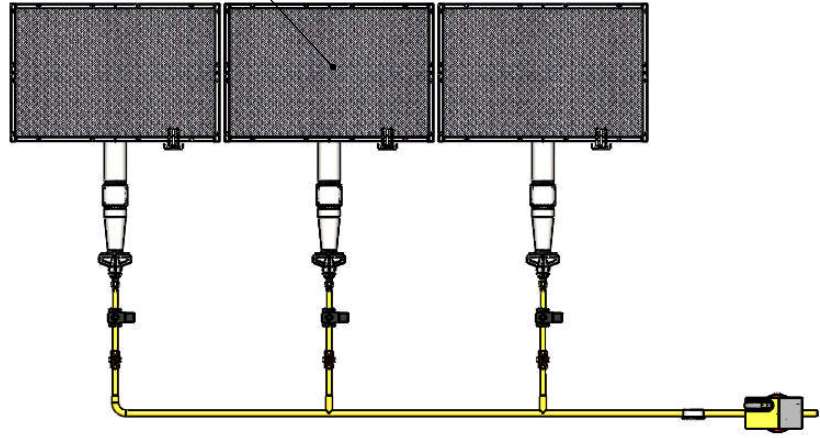
This drawing is the property of PP Systems. Any complete or partial reproduction is forbidden.



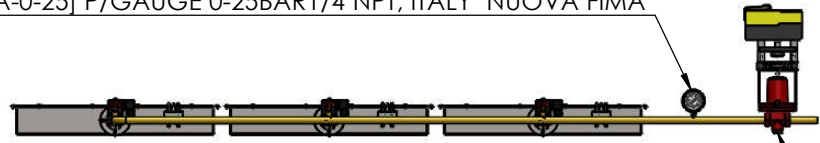
ALL DIMENSIONS ARE IN MILLIMETERS			TITLE:	
Drawn	NAME P.JATURONK	SIGNATURE <i>Jaturonk</i>	Metal Fiber Burner	
Improvement	P.SATIT	<i>Satit P.</i>	DWG NO.	A3
DATE: 25-Jan-21	REVISION: 0	J210107-DVM-S001		
WEIGHT:	SCALE: 1:20	SHEET 3 OF 6		

8 7 6 5 4 3 2 1

MFB550-350-RA
Detail at sheet 4



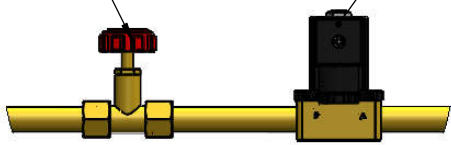
[DS63A-0-25] P/GAUGE 0-25BAR 1/4"NPT, ITALY "NUOVA FIMA"



[AVM321SF132] Valve Linear Drive 1000N / Input Signal 4-20mA / Power Supply 24V / Stroke 8mm / 4,12 sec per mm "SAUTER" Switzerland

[KRR-VLV01] BRASS NEEDLE VALVE
1/4", PTFE SEAT FOR GAS

[6013-025-230VAC] SOLENOID VALVE 2/2,
SIZE 1/4" COIL 230V/50Hz - ORIFICE 3MM "BURKERT" Germany

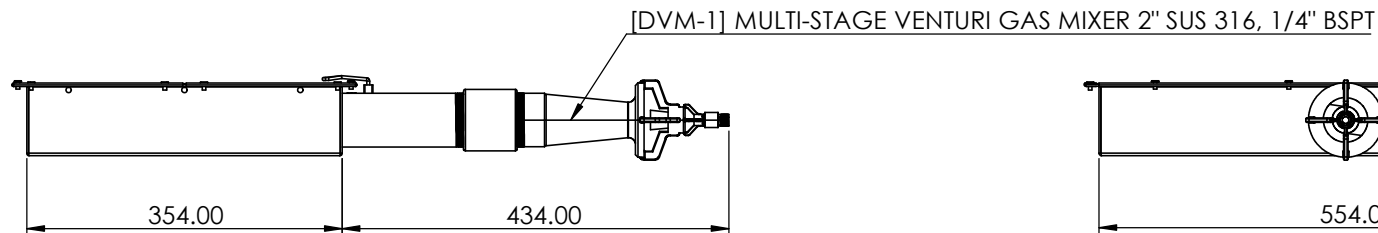
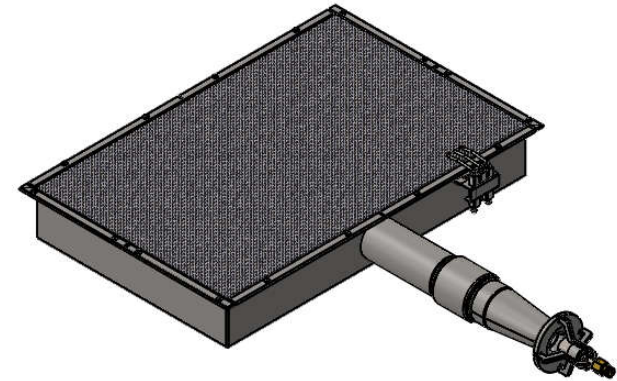
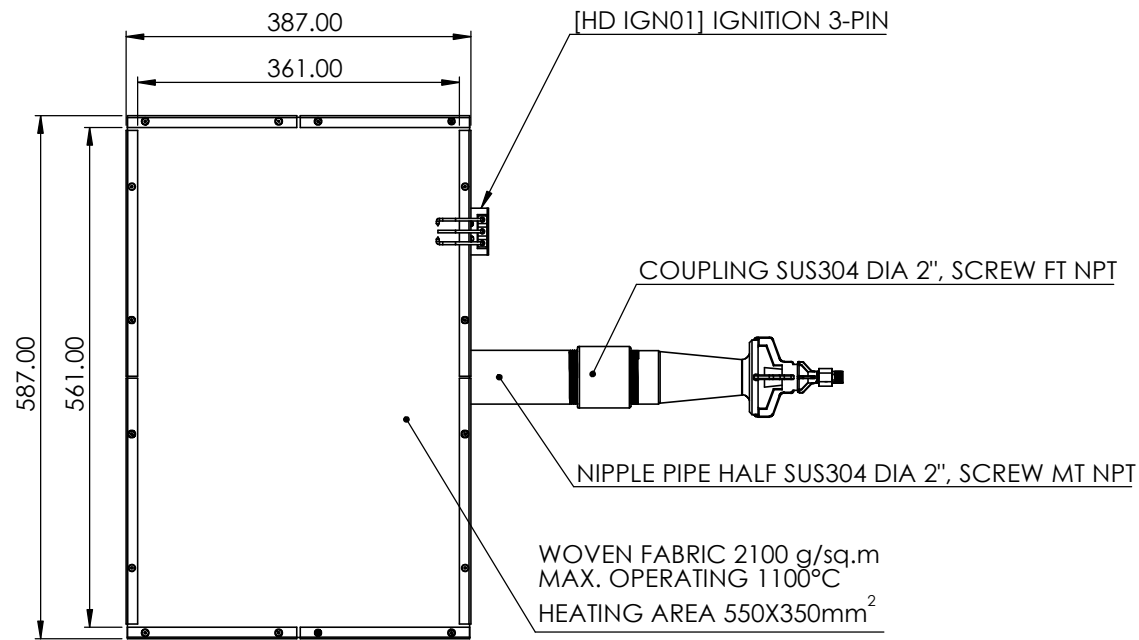


DETAIL D
SCALE 1 : 3

This drawing is the property of PP Systems. Any complete or partial reproduction is forbidden.



ALL DIMENSIONS ARE IN MILLIMETERS			TITLE:	
NAME	SIGNATURE		Metal Fiber Burner	
Drawn	P.JATURONK	Jaturonk		
Improvement	P.SATIT	Satit P.	DWG NO.	J210107-DVM-S001 A3
DATE:	25-Jan-21	REVISION:	0	
WEIGHT:	SCALE:1:20		SHEET 4 OF 6	



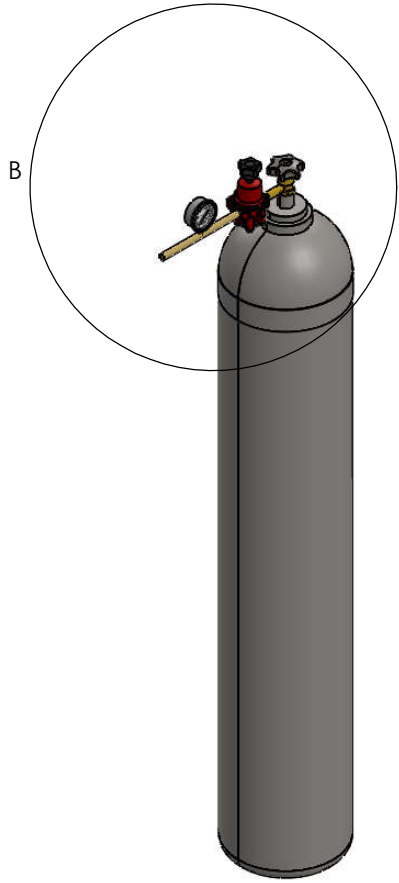
Model : MFB550-350-RA
 Position : POS3A
 Design power input : 38.5 kW
 Heating area : 0.1925 sq.m
 Heating mode : Infrared
 Flame mode : IR-RED ® FLAME

Combustion inside a permeable medium produces generate heats to incandescent which a portion of the energy input can be released as thermal radiation. The flame colour is red/orange, and it produces extremely low emissions of NOx, CO and non-burnt fuel components. This mode occurs at low intensities of 200-500 kW/m².

This drawing is the property of PP Systems. Any complete or partial reproduction is forbidden.

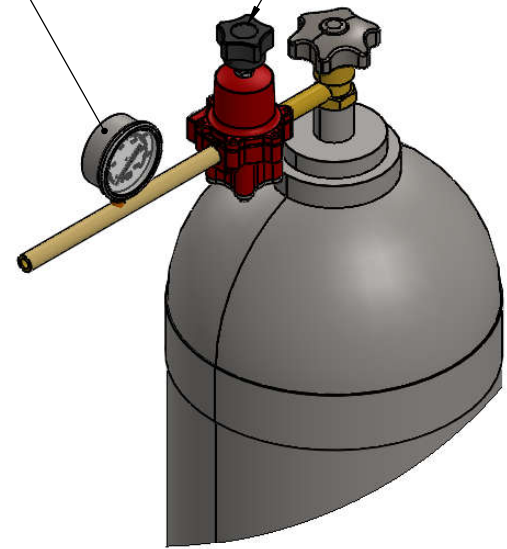


ALL DIMENSIONS ARE IN MILLIMETERS			TITLE:	
NAME	SIGNATURE		Metal Fiber Burner	
Drawn	P.JATURONK <i>Jaturonk</i>			
Improvement	P.SATIT <i>Satit P.</i>		DWG NO. J210107-DVM-S001 A3	
DATE: 25-Jan-21	REVISION: 0		SCALE: 1:10	
WEIGHT:			SHEET 5 OF 6	



[DS63A-0-25] P/GAUGE 0-25BAR
1/4"NPT, ITALY "NUOVA FIMA"

[67CH/743] HIGH P.REGULATOR 5-35 PSI (0.3-2.4 BAR),
1/4" NPT , PROPANE CAPACITIES 219kW "FISHER"



DETAIL B
SCALE 1 : 4

This drawing is the property of PP Systems. Any complete or partial reproduction is forbidden.

 PYRO precision <small>advanced surface combustion technologies</small>	ALL DIMENSIONS ARE IN MILLIMETERS		TITLE:	
	NAME	SIGNATURE	Metal Fiber Burner	
	Drawn P.JATURONK	<i>Jaturonk</i>		
	Improvement P.SATIT	<i>Satit P.</i>	DWG NO. J210107-DVM-S001	A3
DATE: 25-Jan-21	REVISION: 0	SCALE: 1:20	SHEET 6 OF 6	