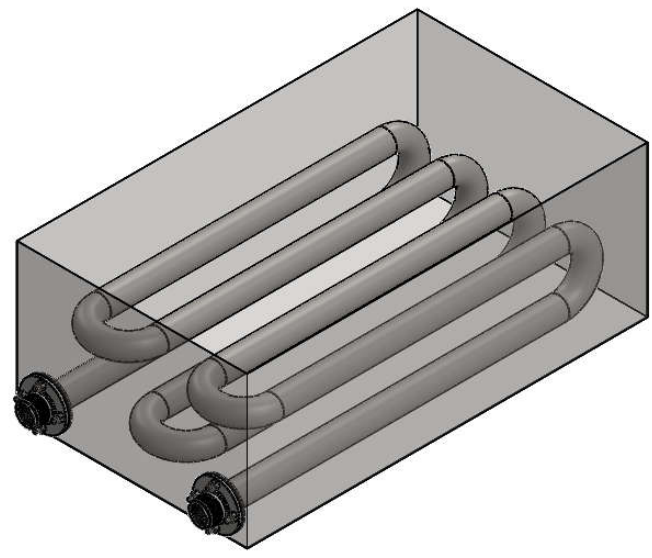
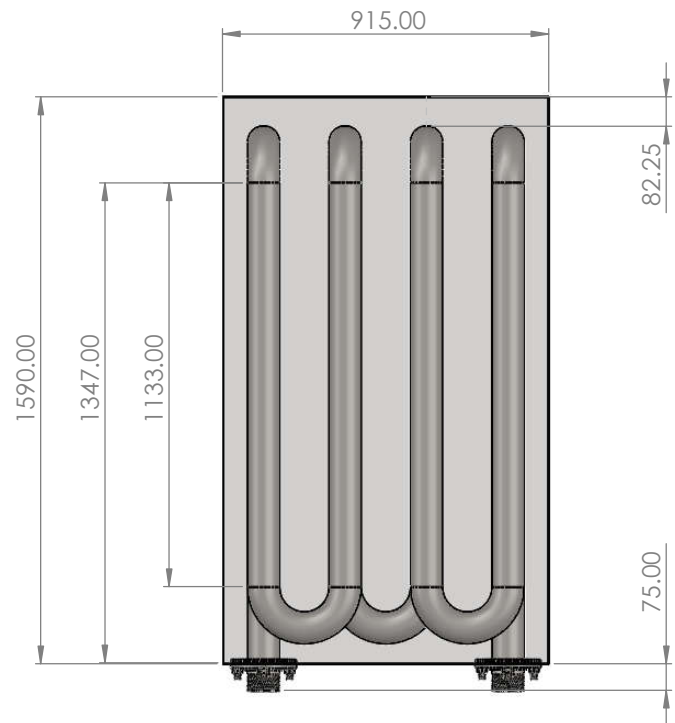
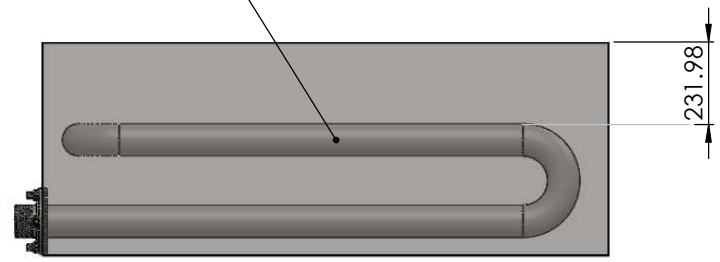
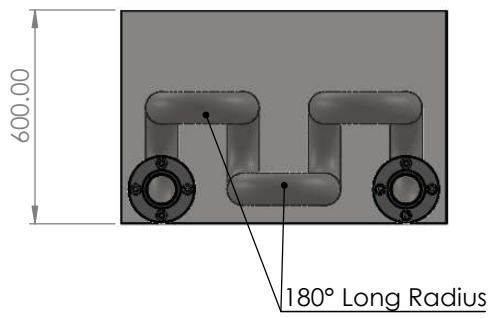


ALL DIMENSIONS ARE IN MILLIMETERS			TITLE: LANEMARK	
Drawn	NAME: P.JATURONK	SIGNATURE: <i>Jaturonk</i>	DWG NO. J200716	
Improvement	P.SATIT	<i>Satit P.</i>	SCALE: 1:50	A3
DATE: 22/7/2563	REVISION: 0	SHEET 1 OF 1		



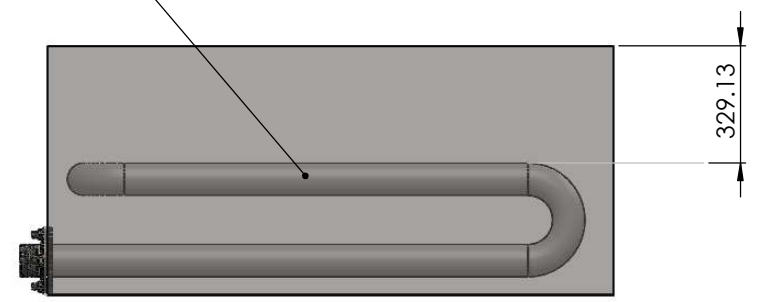
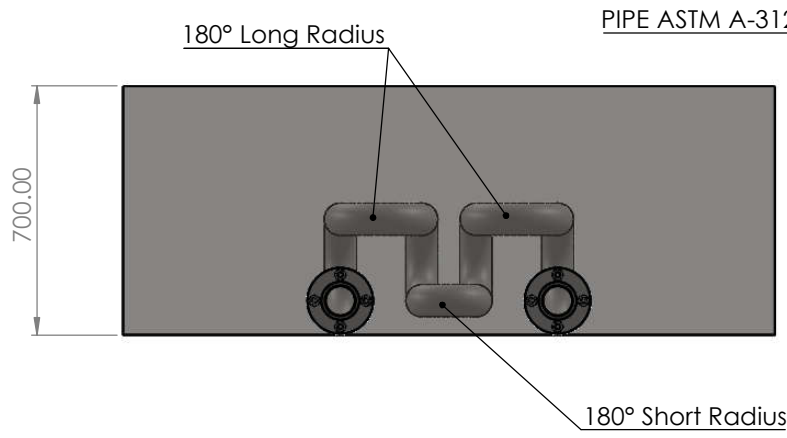
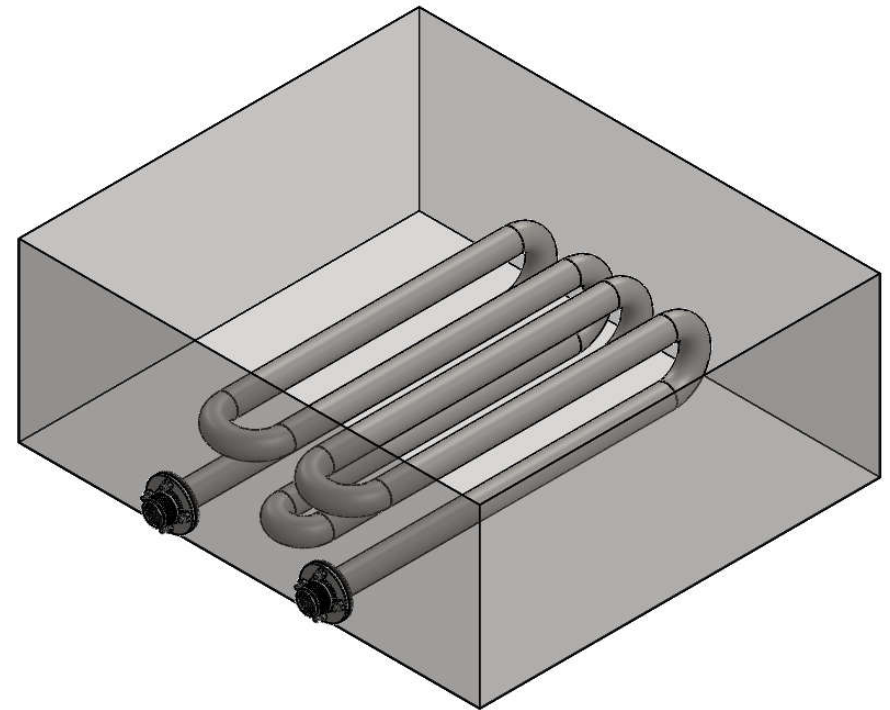
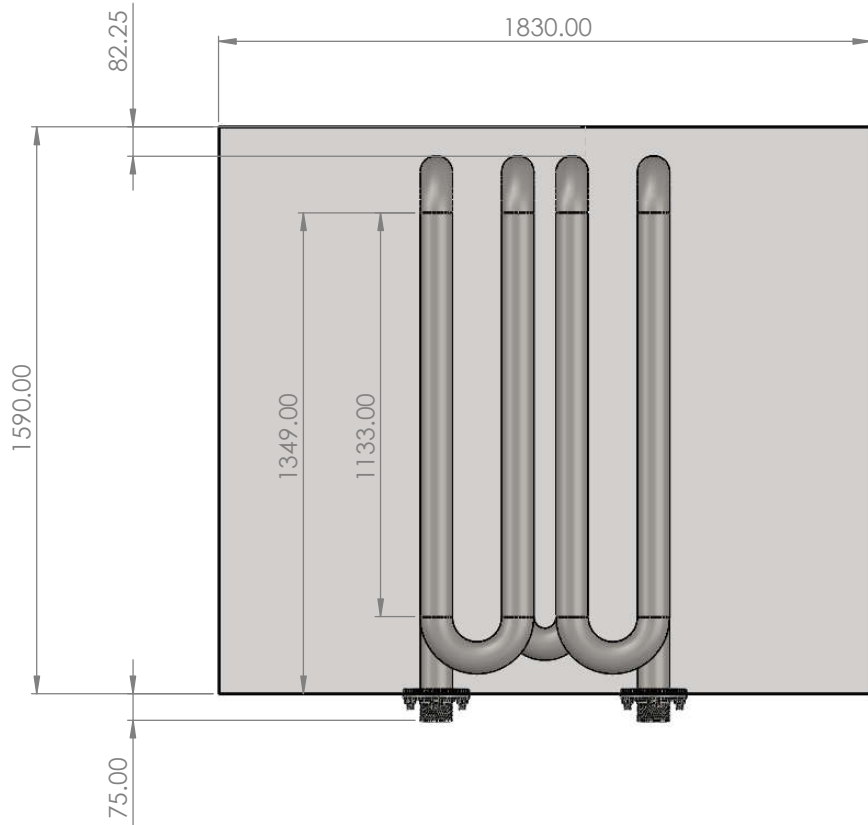
PIPE ASTM ASTM A-312 SIZE 3" SCH10 (OD88.90, ID82.80)



VOLUME 0.829 M3



ALL DIMENSIONS ARE IN MILLIMETERS			TITLE: LANEMARK	
Drawn	NAME: P.JATURONK	SIGNATURE: <i>Jaturonk</i>	DWG NO. L011-D001	
Improvement	P.SATIT	<i>Satit P.</i>	A3	
DATE: 20/7/2563	REVISION: 0	SCALE: 1:20	SHEET 1 OF 1	



PIPE ASTM A-312 SIZE 3" SCH10 (OD88.90, ID82.80)

VOLUNE 1.891M3



ALL DIMENSIONS ARE IN MILLIMETERS				TITLE: LANEMARK	
Drawn	P.JATURONK	SIGNATURE	Jaturonk		
Improvement	P.SATIT	SIGNATURE	Satit P.		
DATE: 20/7/2563	REVISION: 0	DWG NO.	L012-D001		A3
WEIGHT:	SCALE:1:20	SHEET 1 OF 1			